



# Tempo – compact and consistent

## Tempo 3

Tempo is a complete floodlighting range offering a wide choice of lamp types and symmetrical and asymmetrical reflectors. It is ideally suited to a variety of outdoor applications – from architectural, facade and billboard lighting to area and (recreational) sports lighting. Besides the Tempo 1, 2 and 3 versions, the range features the high-power Tempo 4, which is available with a variety of light sources up to 2000 W and features an external gear unit. Designed for medium to large-scale floodlighting of sports facilities and similar areas, it is available in single or double-lamp versions and with a choice of narrow or wide-beam optics. The Tempo series' compact housing guarantees optimum visual integration. Anodized-aluminum reflectors ensure a highly efficient beam distribution, while the nylon bolt caps feature a goniometric aiming device for easy adjustment and alignment. Access to the lamp and gear is quick and easy, via the hinged front glass with its quick-release stainless-steel clips. All Tempo luminaires are RoHS-compliant.

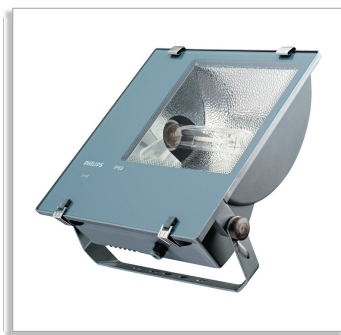
### Avantages

- Complete floodlighting range with a wide choice of lamp types and symmetrical or asymmetrical reflectors for highly efficient beam distribution
- Ideal for a variety of outdoor applications from architectural, facade and billboard lighting to area and (leisure) sports lighting
- Optimal visual integration with compact housing and metallic grey finish

Descriptions

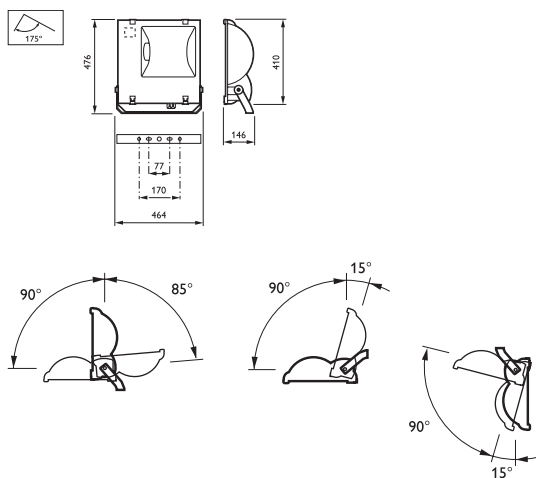
<ul style="list-style-type: none"> <li>• <b>Type</b> RVP351</li> <li>• <b>Light source</b> HID: - 1 x MASTER HPI-T Plus / E40 / 250, 400 W - 1 x SON-T / E40 / 250, 400 W</li> <li>• <b>Lamp included</b> Yes (K)</li> <li>• <b>Gear and compensation (integrated)</b> Electromagnetic (low loss), 230 or 240 V / 50 Hz: - Inductive (IN) - Inductive, parallel compensated (IC)</li> <li>• <b>Optic</b> Asymmetrical (A) Symmetrical (S)</li> <li>• <b>Materials and finishing</b> Housing: die-cast aluminum, corrosion-resistant powder coating Glass: thermally hardened, 4 mm thick Gasket: premium bonded silicone Mounting bracket: steel Aiming device cap: nylon Fixation clips: stainless steel Reflector: anodized, high-purity aluminum</li> </ul>	<ul style="list-style-type: none"> <li>• <b>Color</b> Grey, RAL 9007, powder-coated Color-matched bracket, grommet and hinges</li> <li>• <b>Installation</b> Ceiling, wall or floor mounting Cable entry via M20 cable gland Ambient temperature outdoor: 35°C Drag factor (SCx): 0.203 m<sup>2</sup> Max. adjustment from the horizontal: 175°</li> <li>• <b>Maintenance</b> Hinged front glass with quick-release clips for in-position lamp replacement No internal cleaning required</li> <li>• <b>Main applications</b> Area, facade, billboard, architectural lighting</li> </ul>
--	---

Produits associés



Tempo 3 RVP351 area flood-lighting luminaire

Schéma dimensionnel



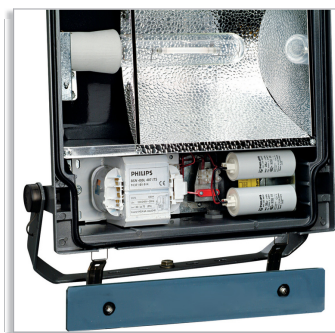
RVP351

Adjustment possibilities

Détails sur le produit



Aiming device for easy adjustment and alignment



Integrated gear unit

Tableau de comparaison

Code commercial	Code produit	Nombre de lampes	Type de lampe	Puissance lampe	Optique	Appareillage	Marquage CE	Test au fil incandescent	IK
149707 00	RVP351	1	HPI-TP	250	A	CONV	CE	850/5	IK07
149714 00	RVP351	1	HPI-TP	250	S	CONV	CE	850/5	IK07
149721 00	RVP351	1	HPI-TP	400	A	CONV	CE	850/5	IK07
149738 00	RVP351	1	HPI-TP	400	S	CONV	CE	850/5	IK07
149745 00	RVP351	1	SON-T	250	A	CONV	CE	850/5	IK07
149752 00	RVP351	1	SON-T	250	S	CONV	CE	850/5	IK07
149769 00	RVP351	1	SON-T	400	A	CONV	CE	850/5	IK07
149776 00	RVP351	1	SON-T	400	S	CONV	CE	850/5	IK07



© 2011 Koninklijke Philips Electronics N.V.  
Tous droits réservés.

Les données sont sujettes à changement sans préavis. Les noms et marques sont la propriété de Koninklijke Philips Electronics N.V. ou de leurs ayants droits respectifs.

[www.philips.com/lighting](http://www.philips.com/lighting)

2011, juin 11  
Les données sont sujettes à changement